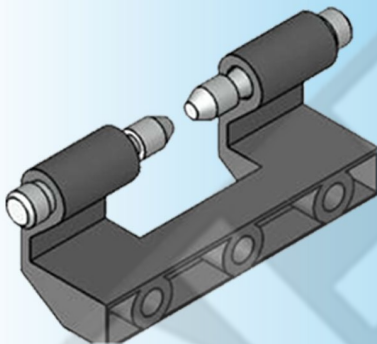


For Product Step File or 3D Model Send a Request Mail To info@nrack.com

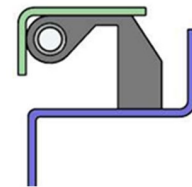
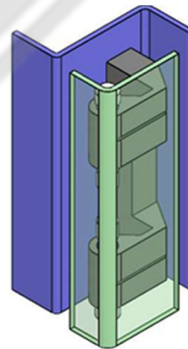
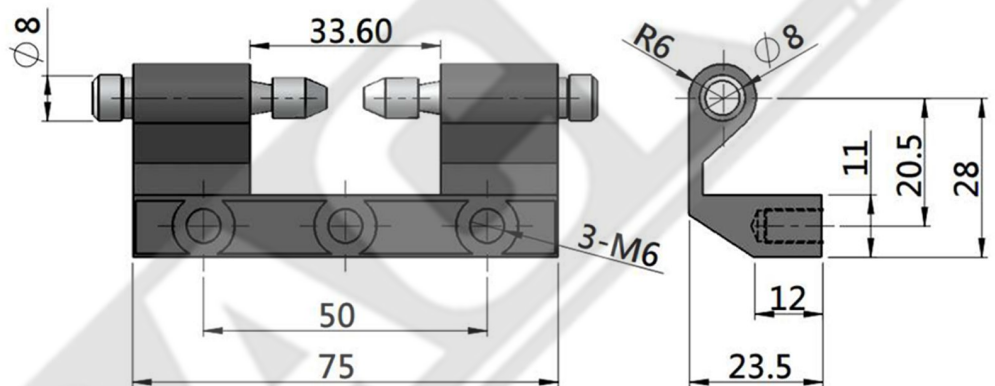
Photo View



3D Rendered View



Die Cast Hinge



HL 011 - 1

(Die Casting Hinge)

- Material: Die Cast
- Finish: Black/Grey Powder Coating